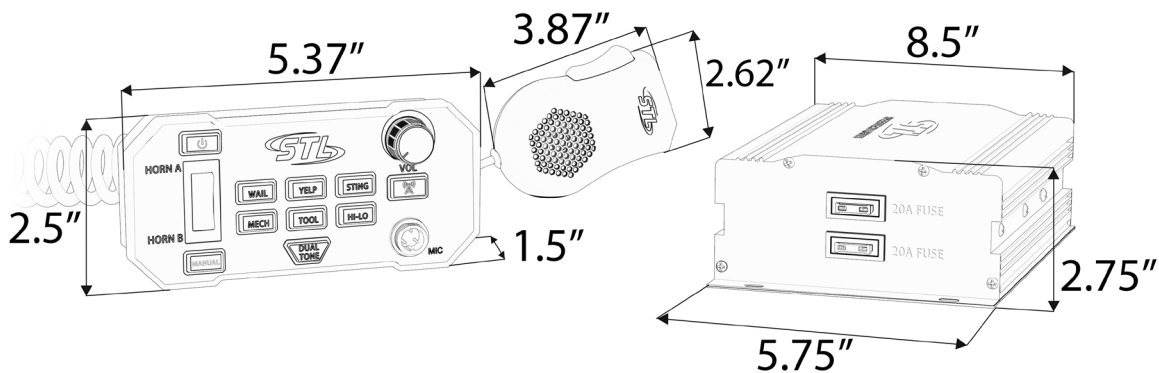
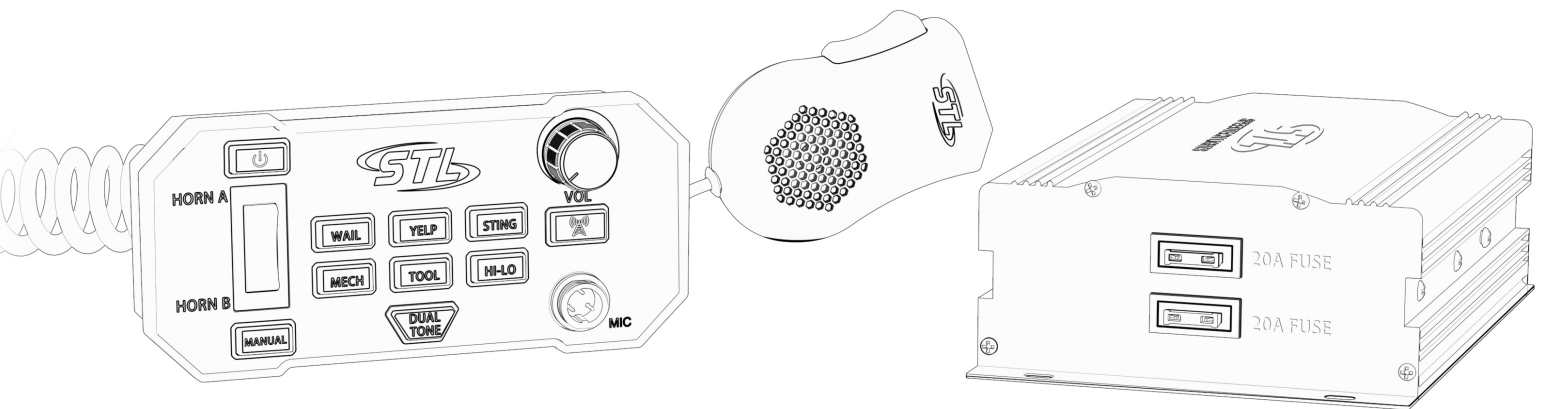


BOSS[®] DUAL TONE SIREN



S-BDT200

INSTRUCTION MANUAL



BOSS[®] DUAL TONE SIREN

Warnings and Notices for Users and Installers

This document must be delivered to and read by the end user and installer as it serves to provide you with the required information for proper and safe use of your STL product. Before operating this or any STL products the user and installer must read this manual all the way through. You will find important information in this manual that could prevent property damage and/or serious injury to the user and installer.

STL products are intended to alert pedestrians and other operators of the presence of personnel, the operation of emergency vehicles, an emergency site, and any warning needs. This does not ensure that pedestrians or drivers will react, heed, or observe emergency warning signals. Nor does the use of emergency signals grant or ensure you the right of way. It is your responsibility to make sure you can proceed safely before driving against traffic, entering an intersection, responding at a high rate of speed, or walking on or around traffic lanes.

Your STL emergency vehicle devices should be tested daily to ensure the device and all its functions are operating correctly. If you experience a malfunction contact STL's Customer Service immediately for troubleshooting options, or a warranty or service claim. You must ensure that the projection of the visual and audible signal is not blocked by vehicle components (i.e.: open trunks, visors, compartment doors), vehicles, other obstructions, or people.

This is professional grade equipment and is intended for strict use by authorized personnel only. It is the user's responsibility to understand and obey all laws regarding emergency warning devices. You must know and be familiar with all applicable city, state, and federal laws and regulations prior to the use of emergency vehicle warning devices.

SpeedTech Lights, Inc assumes no liability for any loss resulting from the use of this warning device. Proper installation is vital to the performance of the warning devices and safe operation of the emergency vehicle. Since the operator is under stressful environments the equipment must be properly wired and mounted to ensure effectiveness and safety. Therefore controllers must be properly installed and placed within convenient reach of the operator so eye contact with the roadway is never lost.

The effectiveness of your STL equipment is highly dependent upon correct mounting and wiring. Improper wiring and mounting of the warning device will reduce the output and performance of the equipment. Emergency warning devices frequently require high electrical voltages and/or currents. Properly protect and use caution around live electrical connections. Grounding or shorting of electrical connections can cause high current arcing, which can cause severe personal injury and/or serious vehicle damage, including fire.

Electromagnetic interference can be caused by many electronic devices used in emergency vehicles. To ensure that this doesn't happen to you, Light Bars should be mounted a minimum of 12" - 34" from the radio antenna and do not power your equipment from the same circuit or share the same grounding circuit with radio communication equipment. After installation, test all the vehicle's equipment together to ensure everything operates free of interference.

Driver and/or passenger airbags (SRS) will impact the way you mount your equipment. Any equipment installed in the deployment area of the airbags will damage or dislodge the airbags and sensors. This will also reduce the effectiveness of the airbags to protect the passengers and therefore these areas must be avoided. Installers must make sure that this equipment along with any parts, hardware, wiring, power supplies, and switch boxes do not interfere with the airbags, SRS wiring, or sensors.

All STL equipment needs to be mounted and installed according to the vehicle manufacturer's instructions and securely attached to a part of the vehicle of sufficient strength to withstand the forces applied by the equipment. This device should be permanently mounted within the zones specified by the vehicle manufacturer. This especially applies to equipment mounted on the exterior of the vehicle to avoid dislodging. Mounting units on the interior of the vehicle by a method other than permanent mount is discouraged as it may become detached under aggressive driving conditions such as sudden braking, collision, or swerving.

PROPER INSTALLATION COMBINED WITH OPERATOR TRAINING IN THE PROPER USE OF EMERGENCY WARNING DEVICES IS ESSENTIAL TO ENSURE THE SAFETY OF EMERGENCY PERSONNEL AND THE PUBLIC.

Unpacking Your STL Product

- Unpack your unit to identify all parts including but not limited to: Light Bar, siren, switch box, brackets, screws, bolts, wiring harness, fuses, etc.
- Some parts may be in small bags.
- Some products may be packaged inside boxes of other products.
- Some parts such as Gutter Brackets, may be in the foam protection. Double check that no parts are left within the foam protection or left in the box.



BOSS[®] DUAL TONE SIREN

Important Points for Your Safety and Longevity of Your Light Bar

- Installers are required to have a good understanding of automotive electronic systems and procedures for proper installation.
- Never stare directly into the LEDs as momentary blindness and/or eye damage may occur.
- Never take any lights through a car wash. Use only water to clean the outer body/lens of your equipment.
- Never use a pressure washer to clean any STL products. Inspect and test your product daily to ensure it operates properly and is mounted correctly.
- Never cut wires or work on a unit while the unit is still connected to a power source.
- Never install this product or route any wires through or in the deployment area of the airbag. Doing so may cause serious personal injury as it will damage or reduce the effectiveness of the airbag by causing the unit to become a projectile. Reference the owner's manual for your vehicle to find the airbag deployment area. The User/Installer assumes all responsibility to determine proper mounting location, based on providing ultimate safety to all passengers in the vehicle.
- If the product requires you to drill holes, the installer must ensure that the drilling process does not damage any vehicle components or other vital parts. Check all sides of the mounting surface before beginning to drill. Make sure to deburr all drilled holes and remove any metal remnants or shards to avoid injury and wires from becoming spliced. Grommets are to be installed in all wire passage holes.
- Grommets, cable ties, looms, and other installation hardware should be used to anchor and protect all wiring. Fuses should be properly sized and located as close to the power take off points as possible to protect the wiring and device. To protect against short circuits, a fuse is included by STL for all products. DO NOT use a fuse with a higher amp rating than the initial fuse included by STL for all products.
- Insulation displacement connectors are not to be used.
- In order for STL products to operate at optimum efficiency, a secure and good electrical connection to the battery's Ground Post must be made. The recommended procedure requires the unit's ground wire be connected directly to the NEGATIVE (-) battery post. DO NOT use Circuit Breaks.
- Instruction manuals should be stored in a safe place for reference if you need to reinstall the unit or perform maintenance. They can also be found at the main site under the product listing at www.SpeedTechLights.com. If your product is no longer available on the website contact STL's Customer Service at 800-757-2581 for assistance.
- If your product requires the use of a control box or remote device to turn on and control your equipment, make sure it is installed in a location that allows both the user and the vehicle to operate safely in any driving condition.
- Never activate or control your equipment in hazardous driving conditions.
- Use SXL type wire in the engine compartment where higher heat resistance is required according to SAE J-1128. All wires should be in accordance with the minimum wire size and other recommendations made by the manufacturer and be protected from hot surfaces and moving parts.
- FAILURE TO FOLLOW THESE SAFETY PRECAUTIONS, WARNINGS, NOTICES, AND INSTRUCTIONS COULD RESULT IN DAMAGE TO THE PRODUCT OR VEHICLE THAT WILL VOID YOUR WARRANTY AND/OR CAUSE SERIOUS INJURY TO YOU AND YOUR PASSENGER.

Pre-Installation and Testing

BENCH TEST all units prior to installation by connecting the Positive Cable (Red) and Negative Cable (Black) to a power source to ensure all the features and parts of the Light Bar are functional.

Test Check List:

- LED diode and LED Module functionality
- Flash patterns
- Non-volatile memory
- Physical damage

If you have trouble call Customer Service at 800-757-2581 before proceeding.





Maintenance




While STL's Light Bars are very durable, there are some things you need to keep in mind and practice to preserve the longevity and function of your Bar.

- Never take any STL Light Bars through a car wash, such as a pressure washer, automatic car wash, brushes that will scratch your equipment or similar car washes or equipment where chemicals, high pressure water, and materials may scratch or damage your equipment.
- Never mount any part of a siren system to any location other than the interior of the vehicle.
- Use Water (H₂O) with a soft cloth to clean your Light Bar and lenses.
- Yellowing of clear lenses may occur overtime. Lenses can be purchased by calling STL Customer Service at 800-757-2581.

BOSS[®] DUAL TONE SIREN

Wiring Harness Diagram

Wire Color	Function
 Red*	Positive
 Black*	Negative
 Brown	Primary Speaker
 Brown	Primary Speaker

Wire Color	Function
 Yellow	Secondary Speaker
 Yellow	Secondary Speaker
 Grey	Radio Rebroadcast

* Indicates a main power cable.

Specifications

Ohms	11 Ω
Decibels	120 dB
Flat Cable Length	Wiring Harness: 6' / Flat Cable: 9.5'
Amp Draw	5.9 A

Boss Dual Tone Controller Operation

Power Button:

- Push this button to turn On/Off the Boss Dual Tone siren.

Horn Momentary Rocker Switch:

- Click up to activate Air Horn A.
- Click down to activate Air Horn B.

Siren Tone Buttons:

- Wail: Activates Wail Siren Tone.
- Yelp: Activates Yelp Siren Tone.
- Sting: Activates Sting Siren Tone.
- Mech: Activates Mechanical Siren Tone.
- Tool: Activates Tool Siren Tone.
- Hi-Lo: Activates Hi-Lo Siren Tone.

Manual Button:

- Programmable button that allows for Manual operation of any Siren Tone.

Dual Tone Button:

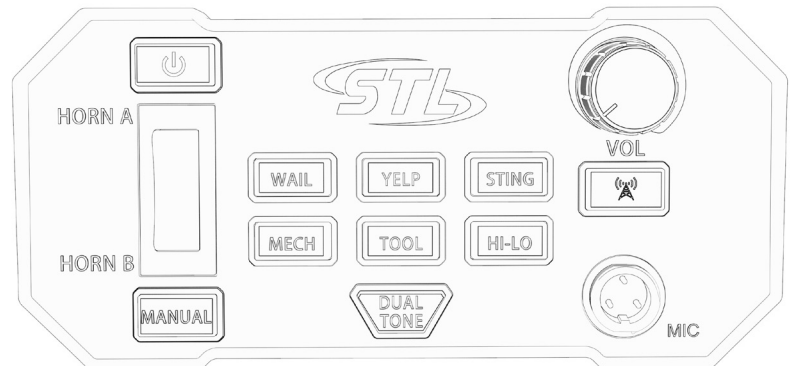
- Push this button to enable Dual Tone functionality.

Radio Rebroadcast Button:

- Push this button to broadcast radio communications via the speaker.

Volume Knob:

- Turn dial to adjust volume of Public Address microphone output.





BOSS[®] DUAL TONE SIREN

Programming Manual Function

- The Manual button can be programmed to operate any Siren Tone while the Manual button is pressed.
- To program, press the desired Siren Tone button and Manual button together.

NOTE: The Manual button only operates the programmed Siren Tone while no other Siren Tone buttons are active.

Manual Function Additional Feature

- Wail and Mech Siren Tones have an additional feature with the Manual button.
- When the Wail Siren Tone button is active, the frequency of the Wail tone can be modulated by the Manual button.
- When the Mech Siren Tone button is active, the frequency of the Mech tone can be modulated by the Manual button.

NOTE: This does not effect the Manual button's programmed tone.

Dual Tone Operation

- Press the Dual Tone button to enable Dual Tone functionality.
- Press a Siren Tone button to output that tone via the Primary Speaker.
- Press another Siren Tone button to output that tone via the Secondary Speaker. (The same Siren Tone can be used twice in Dual Tone operation.)

NOTE: If a Siren Tone is already active prior to pressing the Dual Tone button, that tone will default to the Primary Speaker. The next Siren Tone button pressed will output to the Secondary Speaker.

Havis Console Bracket (Sold Separately)

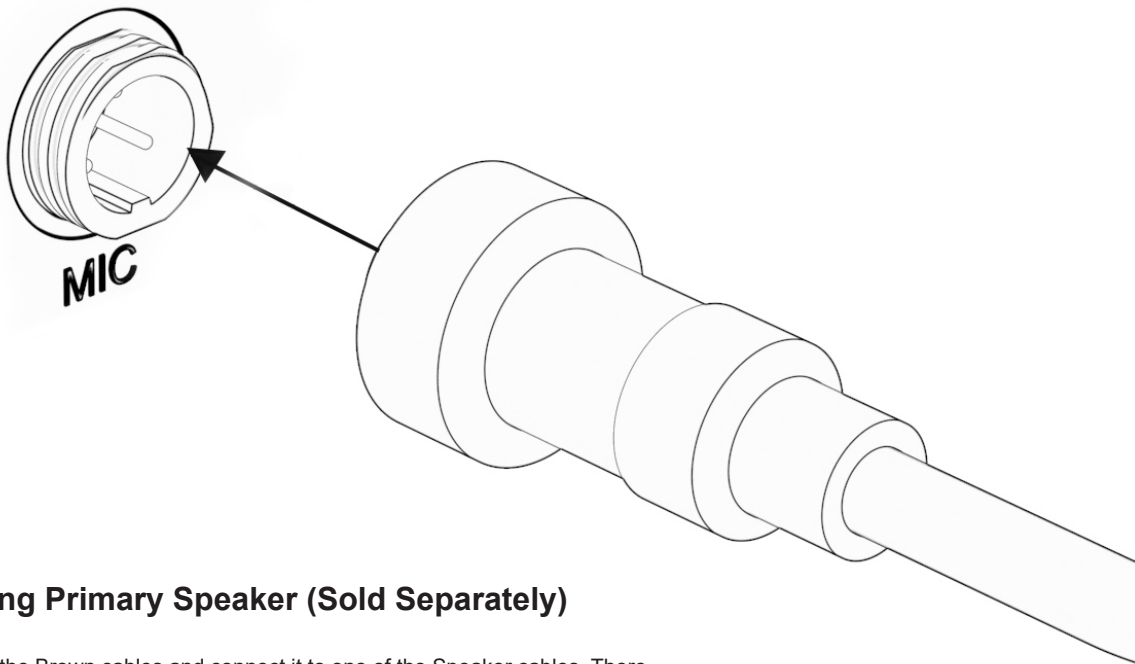
The Havis console bracket contents include:

- (1) Console bracket
- (4) Havis console mounting screws

1. Seat the controller inside the console bracket.
2. Attach the console bracket to the controller with (4) user-supplied 1/4" screws.
3. Mount console bracket to Havis console via the mounting track using the included hardware.

Connecting Microphone

1. Line up the 3 pins in the controller Mic port to the 3 holes in the microphone connector.
2. Once the pins are inserted in the microphone connector, tighten the microphone connector to the controller Mic port by rotating the shroud at the end of the microphone connector clockwise until it is fully tightened.



Connecting Primary Speaker (Sold Separately)

1. Take one of the Brown cables and connect it to one of the Speaker cables. There is no polarity on these connections, so it doesn't matter which cable is chosen.
2. Take the other Brown cable and connect it to the other Speaker cable.

Connecting Secondary Speaker (Sold Separately)

1. Take one of the Yellow cables and connect it to one of the Speaker cables. There is no polarity on these connections, so it doesn't matter which cable is chosen.
2. Take the other Yellow cable and connect it to the other Speaker cable.

Connecting Vibe Low-Frequency Siren (Sold Separately)

For installation instructions for the STL Vibe, please visit the Vibe instruction manual link listed below:

<https://www.speedtechlights.com/files/instructions/39030STL%20Vibe.pdf>

All rights reserved. No part of this Instruction Manual may be reproduced, distributed, transmitted, or otherwise shared in any form or by any means, including but not limited to photocopying, recording, electronic delivery, .PDF reproduction, or any other means of reproducing all or any part hereof without the express prior written consent of SpeedTech Lights, Inc, except for non-commercial purposes as permitted by United States copyright law. Customers of SpeedTech Lights, Inc, may download and print this Instruction Manual for use with products sold to the customer by SpeedTech Lights, Inc. However, no part of this Instruction Manual may be otherwise or subsequently reproduced, downloaded, disseminated, published, or transferred, in any form or by any means, except with the prior written consent of SpeedTech Lights, Inc.