

B-RTX8
B-RLX8

INSTRUCTION MANUAL



RAPTOR[®]-X

VISOR LIGHT BAR

Warnings and Notices for Users and Installers

This document must be delivered to and read by the end user and installer as it serves to provide you with the required information for proper and safe use of your STL product. Before operating this or any STL products the user and installer must read this manual all the way through. You will find important information in this manual that could prevent property damage and/or serious injury to the user and installer.

STL products are intended to alert pedestrians and other operators of the presence of personnel, the operation of emergency vehicles, an emergency site, and any warning needs. This does not ensure that pedestrians or drivers will react, heed, or observe emergency warning signals. Nor does the use of emergency signals grant or ensure you the right of way. It is your responsibility to make sure you can proceed safely before driving against traffic, entering an intersection, responding at a high rate of speed, or walking on or around traffic lanes.

Your STL emergency vehicle devices should be tested daily to ensure the device and all its functions are operating correctly. If you experience a malfunction contact STL's Customer Service immediately for troubleshooting options, or a warranty or service claim. You must ensure that the projection of the visual and audible signal is not blocked by vehicle components (i.e.: open trunks, visors, compartment doors), vehicles, other obstructions, or people.

This is professional grade equipment and is intended for strict use by authorized personnel only. It is the user's responsibility to understand and obey all laws regarding emergency warning devices. You must know and be familiar with all applicable city, state, and federal laws and regulations prior to the use of emergency vehicle warning devices.

SpeedTech Lights, Inc assumes no liability for any loss resulting from the use of this warning device. Proper installation is vital to the performance of the warning devices and safe operation of the emergency vehicle. Since the operator is under stressful environments the equipment must be properly wired and mounted to ensure effectiveness and safety. Therefore controllers must be properly installed and placed within convenient reach of the operator so eye contact with the roadway is never lost.

The effectiveness of your STL equipment is highly dependent upon correct mounting and wiring. Improper wiring and mounting of the warning device will reduce the output and performance of the equipment. Emergency warning devices frequently require high electrical voltages and/or currents. Properly protect and use caution around live electrical connections. Grounding or shorting of electrical connections can cause high current arcing, which can cause severe personal injury and/or serious vehicle damage, including fire.

Electromagnetic interference can be caused by many electronic devices used in emergency vehicles. To ensure that this doesn't happen to you, Light Bars should be mounted a minimum of 12" - 34" from the radio antenna and do not power your equipment from the same circuit or share the same grounding circuit with radio communication equipment. After installation, test all the vehicle's equipment together to ensure everything operates free of interference.

Driver and/or passenger airbags (SRS) will impact the way you mount your equipment. Any equipment installed in the deployment area of the airbags will damage or dislodge the airbags and sensors. This will also reduce the effectiveness of the airbags to protect the passengers and therefore these areas must be avoided. Installers must make sure that this equipment along with any parts, hardware, wiring, power supplies, and switch boxes do not interfere with the airbags, SRS wiring, or sensors.

All STL equipment needs to be mounted and installed according to the vehicle manufacturer's instructions and securely attached to a part of the vehicle of sufficient strength to withstand the forces applied by the equipment. This device should be permanently mounted within the zones specified by the vehicle manufacturer. This especially applies to equipment mounted on the exterior of the vehicle to avoid dislodging. Mounting units on the interior of the vehicle by a method other than permanent mount is discouraged as it may become detached under aggressive driving conditions such as sudden braking, collision, or swerving.

PROPER INSTALLATION COMBINED WITH OPERATOR TRAINING IN THE PROPER USE OF EMERGENCY WARNING DEVICES IS ESSENTIAL TO ENSURE THE SAFETY OF EMERGENCY PERSONNEL AND THE PUBLIC.

Unpacking Your STL Product

- Unpack your unit to identify all parts including but not limited to: Light Bar, switch box, brackets, screws, bolts, wiring harness, fuses, etc.
- Some parts may be in small bags.
- Some products may be packaged inside boxes of other products.
- Some parts such as Gutter Brackets, may be in the foam protection. Double check that no parts are left within the foam protection or left in the box.



RAPTOR[®]-X

VISOR LIGHT BAR

Important Points for Your Safety and Longevity of Your Light Bar

- Installers are required to have a good understanding of automotive electronic systems and procedures for proper installation.
- Never stare directly into the LEDs as momentary blindness and/or eye damage may occur.
- Never take any lights through a car wash. Use only water to clean the outer body/lens of your equipment.
- Never use a pressure washer to clean any STL products. Inspect and test your product daily to ensure it operates properly and is mounted correctly.
- Never cut wires or work on a unit while the unit is still connected to a power source.
- Never install this product or route any wires through or in the deployment area of the airbag. Doing so may cause serious personal injury as it will damage or reduce the effectiveness of the airbag by causing the unit to become a projectile. Reference the owner's manual for your vehicle to find the airbag deployment area. The User/Installer assumes all responsibility to determine proper mounting location, based on providing ultimate safety to all passengers in the vehicle.
- If the product requires you to drill holes, the installer must ensure that the drilling process does not damage any vehicle components or other vital parts. Check all sides of the mounting surface before beginning to drill. Make sure to deburr all drilled holes and remove any metal remnants or shards to avoid injury and wires from becoming spliced. Grommets are to be installed in all wire passage holes.
- Grommets, cable ties, looms, and other installation hardware should be used to anchor and protect all wiring. Fuses should be properly sized and located as close to the power take off points as possible to protect the wiring and device. To protect against short circuits, a fuse is included by STL for all products. DO NOT use a fuse with a higher amp rating than the initial fuse included by STL for all products.
- Insulation displacement connectors are not to be used.
- In order for STL products to operate at optimum efficiency, a secure and good electrical connection to the battery's Ground Post must be made. The recommended procedure requires the unit's ground wire be connected directly to the NEGATIVE (-) battery post. DO NOT use Circuit Breaks.
- Instruction manuals should be stored in a safe place for reference if you need to reinstall the unit or perform maintenance. They can also be found at the main site under the product listing at www.SpeedTechLights.com. If your product is no longer available on the website contact STL's Customer Service at 800-757-2581 for assistance.
- If your product requires the use of a control box or remote device to turn on and control your equipment, make sure it is installed in a location that allows both the user and the vehicle to operate safely in any driving condition.
- Never activate or control your equipment in hazardous driving conditions.
- Use SXL type wire in the engine compartment where higher heat resistance is required according to SAE J-1128. All wires should be in accordance with the minimum wire size and other recommendations made by the manufacturer and be protected from hot surfaces and moving parts.
- FAILURE TO FOLLOW THESE SAFETY PRECAUTIONS, WARNINGS, NOTICES, AND INSTRUCTIONS COULD RESULT IN DAMAGE TO THE PRODUCT OR VEHICLE THAT WILL VOID YOUR WARRANTY AND/OR CAUSE SERIOUS INJURY TO YOU AND YOUR PASSENGER.

Pre-Installation and Testing

BENCH TEST all units prior to installation by connecting the Positive Cable (Red) and Negative Cable (Black) to a power source to ensure all the features and parts of the Light Bar are functional.

Test Check List:

- LED diode and LED Module functionality
- Flash patterns
- Non-volatile memory
- Physical damage




If you have trouble call Customer Service at 800-757-2581 before proceeding.

Maintenance

While STL's Light Bars are very durable, there are some things you need to keep in mind and practice to preserve the longevity and function of your Bar.

- Never take any STL Light Bars through a car wash, such as a pressure washer, automatic car wash, brushes that will scratch your equipment or similar car washes or equipment where chemicals, high pressure water, and materials may scratch or damage your equipment.
- Use Water (H₂O) with a soft cloth to clean your Light Bar and lenses.
- Yellowing of clear lenses may occur overtime. Lenses can be purchased by calling STL Customer Service at 800-757-2581.

Wiring Diagram

Wire Color	Function
 Red*	Positive
 Black*	Negative
 Yellow	Flash Pattern

* Indicates a main power cable.

NOTE: All cables except Negative contact +12 VDC.

Specifications

Voltage	12 VDC
Amps	< 4.2
Optic	TIR / Linear
LED Count	TIR: 32 / Linear: 32
Cable Length	13'
Cable Length Between Each Side	2.5'
Flash Patterns	23

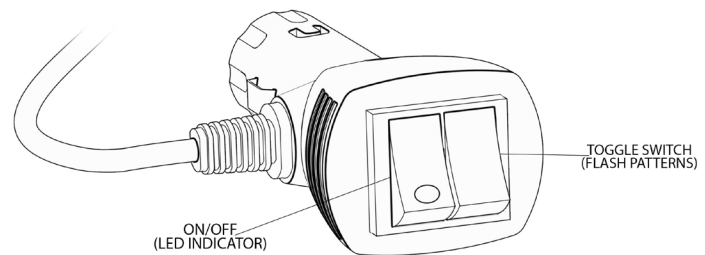
Cigarette Lighter Plug Switch Operation (Sold Separately)

On/Off Switch:

- On Position: Turns on the Light Bar.
- Off Position: Turns off the Light Bar.

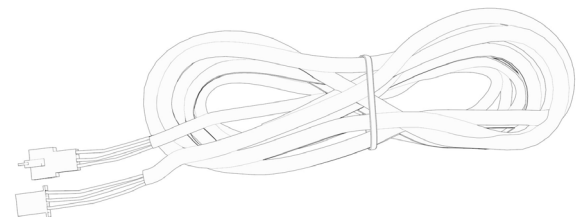
Flash Pattern Button:

- Cycles to the next flash pattern with each press.
- Non-Volatile memory recalls the last flash pattern selected.
- Hold for 3 seconds to toggle Steady Burn mode.
- Hold for 5 seconds to toggle Random pattern mode.



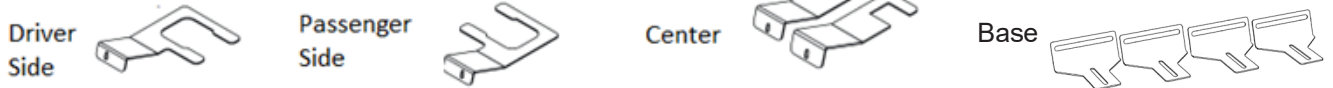
Extension Cable (Sold Separately)

- If you have an extension cable with connectors, connect the corresponding ends to one another. Use the connector at the end of the cable to plug into the control box.
- If you have an extension cable with one connector, you will need to cut the connector off of the main cable harness coming out of the Light Bar. Save it as a spare part. You will solder and heat shrink each wire within the cable harness to each wire in the extension cable harness. DO NOT cross connect wires. Use the connector at the end of the extension cable to plug into the control box.
- If you have an extension cable with no connectors, you will need to cut in the middle of the main cable harness coming out of the Light Bar. You will solder and heat shrink each wire within the cable harness to each wire in the extension cable harness. DO NOT cross connect wires. Use the reattached connector from the end of the main cable harness to plug into the control box.
- NOTE: DO NOT leave connectors, cables, solder points exposed to heat, moisture, or debris.

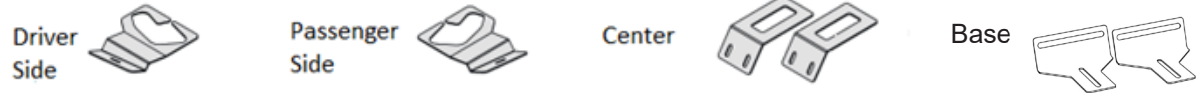


Available Visor Bracket Mounts

Q-300: Chevy Tahoe
2015+



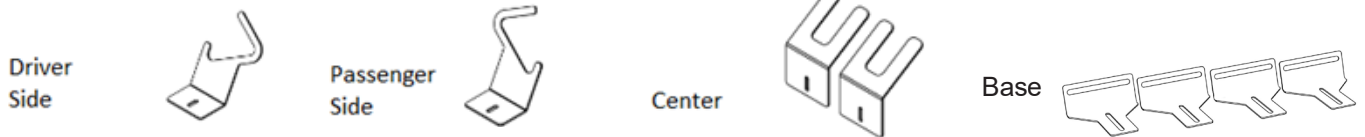
Q-301: Chevy Tahoe
2007-2014



Q-302: Dodge Charger
2011+



Q-303: Dodge Ram
2015+



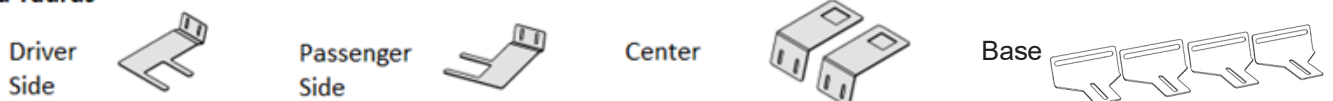
Q-304: Ford Explorer
2011+



Q-305: Ford F-150 2015
+



Q-306: Ford Taurus
2011+



Q-307: Universal
Bracket





RAPTOR[®]-X

VISOR LIGHT BAR

Mounting Bracket Contents

Inspect contents of package before proceeding.

<p>Q-3070 Universal Bracket (Included)</p> <p>Universal Brackets:</p> <ul style="list-style-type: none"> • (4) Base brackets • (4) Universal long forked visor brackets • (4) Universal short forked visor brackets <p>Universal Bracket Hardware Contents:</p> <ul style="list-style-type: none"> • (8) Philips pan head screws • (12) Philips pan head short bolts • (12) Flat large diameter washers • (12) Split lock washers • (8) Hex nuts • (2) Rubber protective strips <p>Bracket Spacer Contents:</p> <ul style="list-style-type: none"> • (8) 5.14 mm spacers • (8) 10 mm spacers 	<p>Q-302 and Q-304 (Sold Separately)</p> <p>Q-302 and Q-304 Vehicle Specific Brackets:</p> <ul style="list-style-type: none"> • (1) DL bracket • (1) PR bracket • (2) Center brackets <p>Q-302 Vehicle Specific Bracket Hardware Contents:</p> <ul style="list-style-type: none"> • (4) Philips pan head short bolts • (4) Flat washers • (4) Split lock washers • (2) Rubber protective strips <p>Q-304 Vehicle Specific Bracket Hardware Contents:</p> <ul style="list-style-type: none"> • (8) Philips pan head short bolts • (8) Flat washers • (8) Split lock washers • (2) Rubber protective strips
<p>Q-301 (Sold Separately)</p> <p>Q-301 and Q-305 Vehicle Specific Brackets:</p> <ul style="list-style-type: none"> • (1) DL bracket • (1) PR bracket • (2) Center brackets • (2) Base brackets <p>Q-301 Vehicle Specific Bracket Hardware Contents:</p> <ul style="list-style-type: none"> • (4) Philips pan head short bolts • (4) Flat large diameter washers • (4) Split lock washers • (4) Philips pan head screws • (8) Flat small diameter washers • (4) Hex nuts • (2) Rubber protective strips 	<p>Q-300, Q-303, Q-305 and Q-306 (Sold Separately)</p> <p>Q-300, Q-303, Q-305 and Q-306 Vehicle Specific Brackets:</p> <ul style="list-style-type: none"> • (1) DL bracket • (1) PR bracket • (2) Center brackets • (4) Base brackets <p>Q-300, Q-303 and Q-305 Vehicle Specific Bracket Hardware Contents:</p> <ul style="list-style-type: none"> • (4) Philips pan head short bolts • (4) Flat large diameter washers • (4) Split lock washers • (4) Philips pan head screws • (8) Flat small diameter washers • (4) Hex nuts • (2) Rubber protective strips <p>Q-306 Vehicle Specific Bracket Hardware Contents:</p> <ul style="list-style-type: none"> • (4) Philips pan head short bolts • (4) Flat large diameter washers • (4) Split lock washers • (8) Philips pan head screws • (16) Flat small diameter washers • (8) Hex nuts • (2) Rubber protective strips

Q-3070 Universal Mounting Bracket Installation

Base Bracket and Q-3070 Universal Visor Bracket Assembly

To attach the base bracket and visor bracket, you will need the following for each of the (4) assemblies:

- (2) Phillips pan head screws
- (4) Flat washers
- (2) Split lock washers
- (2) Hex nuts

Note: The Universal Visor Bracket comes with (2) sets of forked visor brackets. Choose the length of fork that will work best to fit your vehicle.

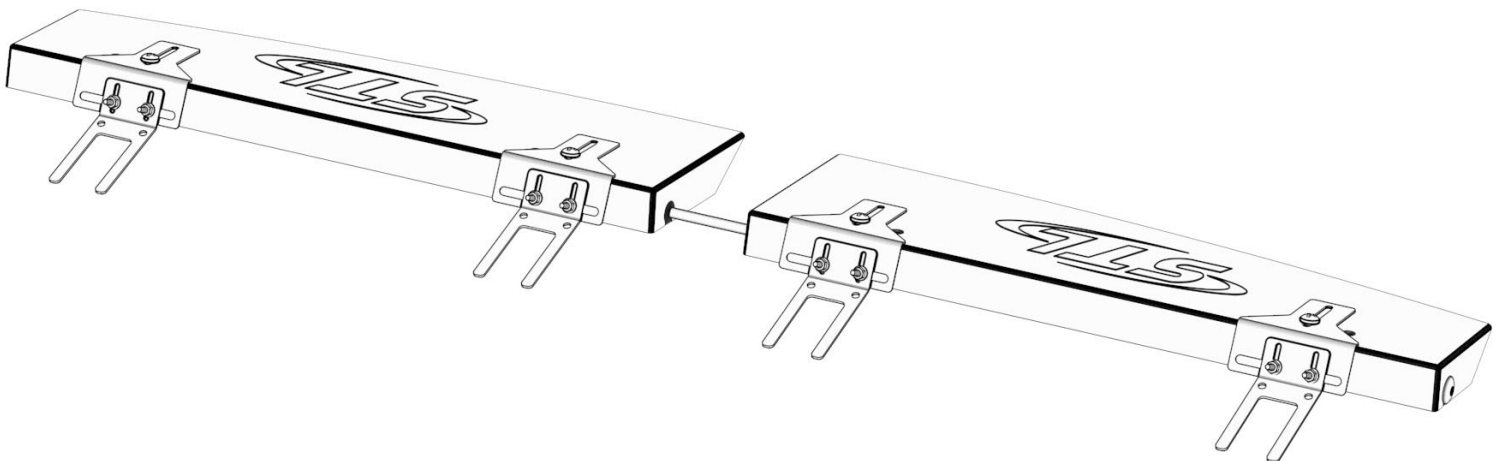
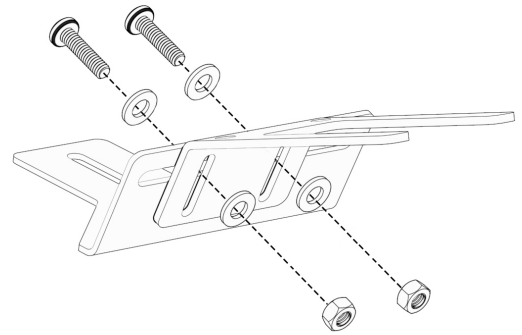
1. Take both brackets and overlap the openings.

2. Insert (2) Phillips pan head screws through the base bracket opening.

3. On the other end, insert (2) flat washers, (2) split lock washers, and (2) hex nuts to secure.

NOTE: Do not fully tighten at this point as adjusting will need to be done.

4. Repeat Steps 1 - 3 for each assembly. There will be a total of (4) assemblies.

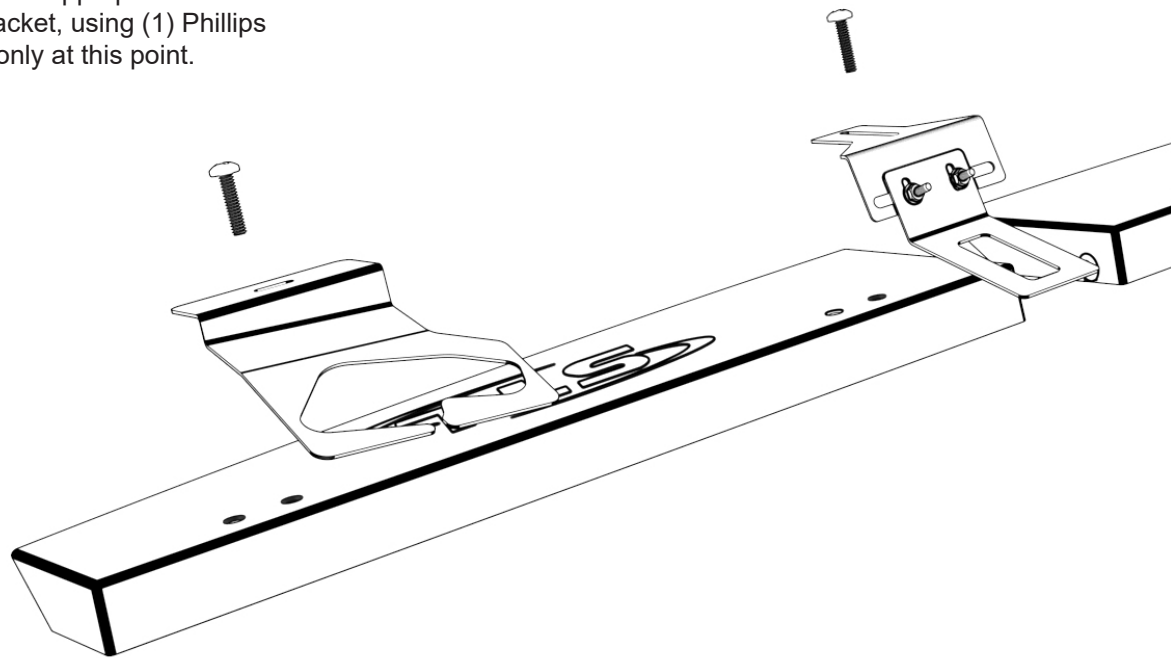


Attaching Assembly to Raptor Light Bar Base

There are (4) holes on the bottom of each Raptor segment, (8) holes total.

NOTE: Some assemblies and brackets only require (1) hole to be used for mounting. Choose the hole that will allow best fitment to the vehicle.

1. Attach each assembly using the appropriate selected mounting hole, via the base bracket, using (1) Phillips pan head screw. Hand tighten only at this point.



2. With all the assemblies now in place, adjust each visor bracket and base bracket to fit the vehicle. The flashback guard with the rubber stripping applied should be contacting the windshield. If the flashback guard is not touching the windshield you will need to use the other hole on the bottom of the Raptor and/or you will need to include spacers (see Page 10 for Spacer Installation).

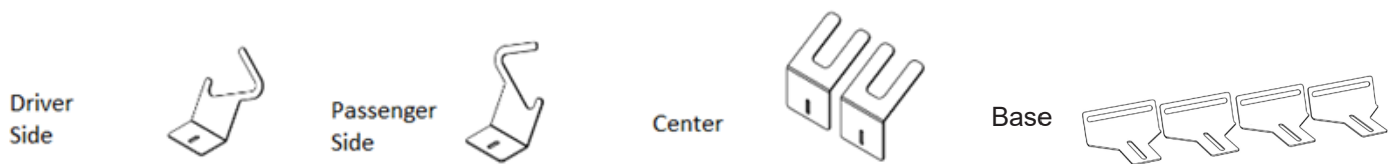
3. Once the exact positioning of the brackets is determined, remove each assembly from the Raptor base to fully tighten the visor bracket and base bracket together. Reattach each assembly back to the Raptor base (as in Step 1).

Base Bracket and Q-300 / Q-303 / Q-305 / Q-306 Visor Bracket Assembly

NOTE: This assembly is very similar to the Universal Bracket assembly. The only difference is the Vehicle Specific visor brackets will be used instead of the Universal forked visor brackets to pair with the base brackets.

For this example, the Q-303 Vehicle Specific Brackets will be used.

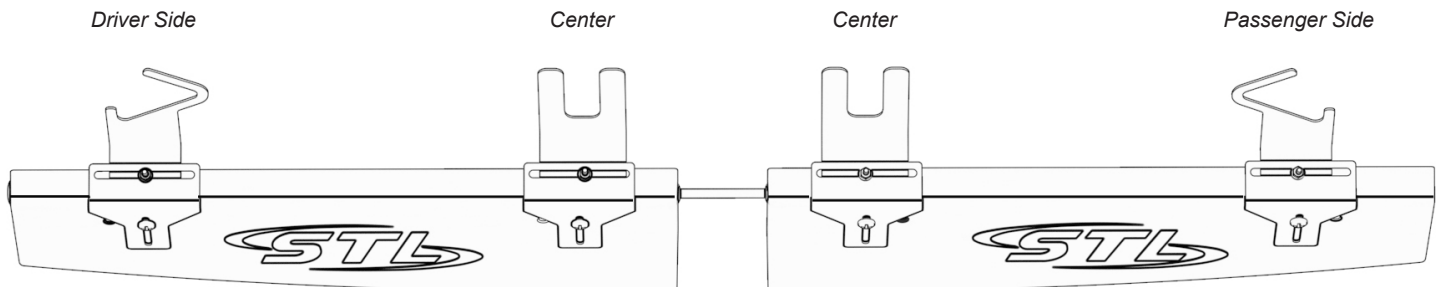
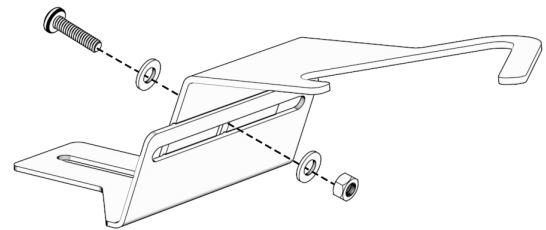
NOTE: Hardware quantity used will vary based on single or double mounting holes.



1. Take (1) base bracket and the Driver Side Vehicle Specific visor bracket and overlap the openings. Insert (1) Phillips pan head screw and (1) flat washer through visor bracket opening. On the other end, insert (1) flat washer and (1) hex lock nut to secure both brackets together.

NOTE: Do not fully tighten at this point as adjusting will need to be done.

2. Repeat Step 1 for the Passenger Side Vehicle Specific visor bracket and the (2) Center Vehicle Specific visor brackets. There will be a total of (4) assemblies.

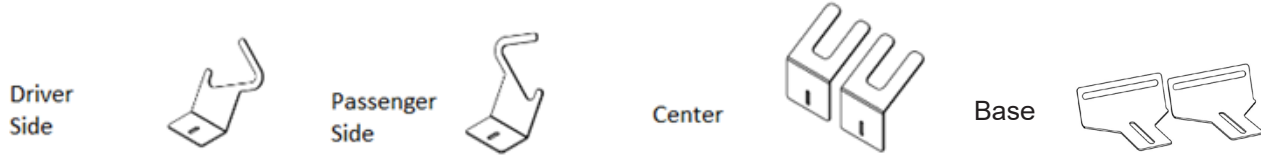


Base Bracket and Q-301 Visor Bracket Assembly

NOTE: This assembly is very similar to the Universal Bracket assembly. The only difference is the Center visor brackets will be used instead of the Universal forked visor brackets to pair with the base brackets. Also the Driver and Passenger side brackets will be mounted directly to the body of the bar without the use of base brackets.

For this example, the Q-301 Vehicle Specific Brackets will be used.

NOTE: Hardware quantity used will vary based on single or double mounting holes.



1. Take (1) base bracket and the Center Vehicle Specific visor bracket and overlap the openings. Insert (1) Phillips pan head screw and (1) flat washer through visor bracket opening. On the other end, insert (1) flat washer and (1) hex lock nut to secure both brackets together.

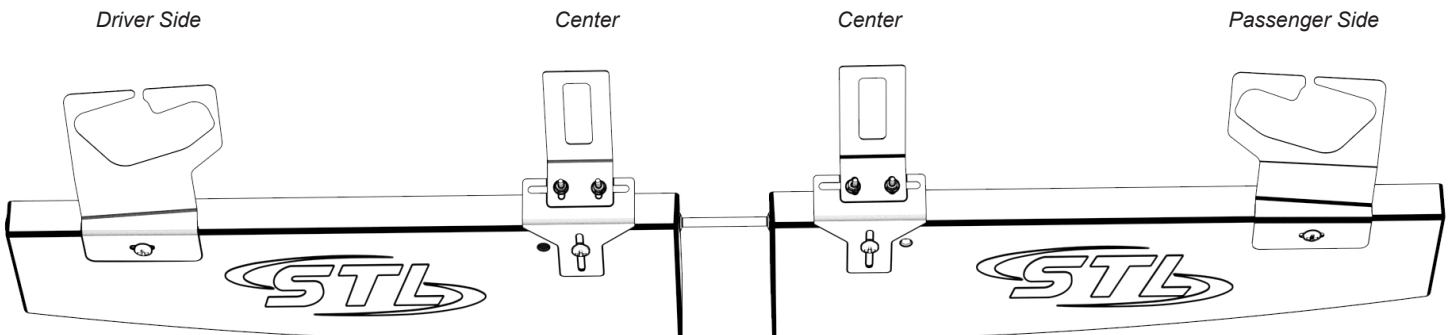
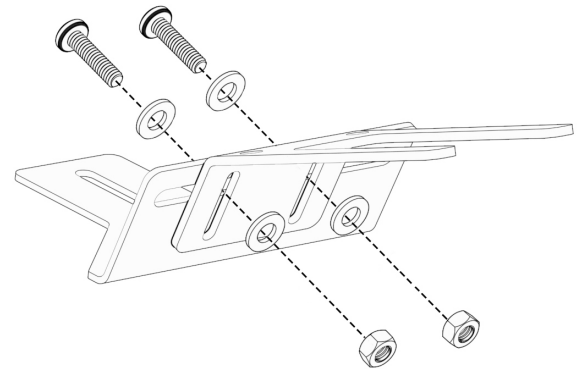
NOTE: Do not fully tighten at this point as adjusting will need to be done.

2. Repeat Step 1 for the other Center Vehicle Specific visor bracket. There will be a total of (2) assemblies.

3. Take (1) Driver Side Vehicle Specific visor bracket and mount to light bar directly to the Driver side outer most hole.

NOTE: Do not fully tighten at this point as adjusting will need to be done.

4. Repeat Step 3 for the Passenger Side Vehicle Specific visor bracket.



Q-302 / Q-304 Visor Bracket Assembly

NOTE: These Vehicle Specific Visor brackets do not require a base bracket assembly. These brackets attach directly to the mounting holes on the Raptor Light Bar base.

For this example, the Q-304 Vehicle Specific Brackets will be used.

NOTE: Hardware quantity used will vary based on single or double mounting holes.

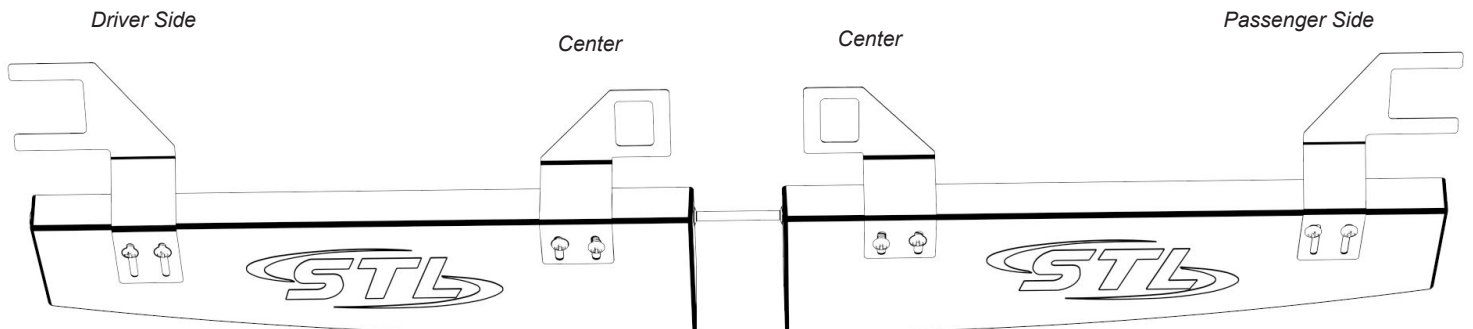
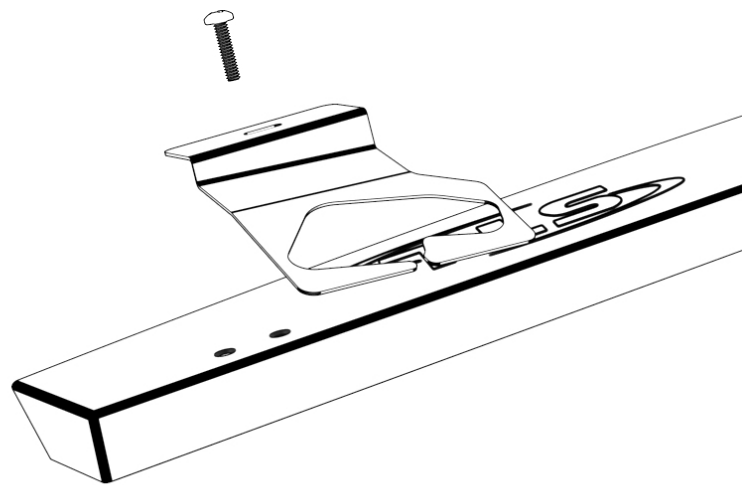


1. Take (1) Driver Side Vehicle Specific visor bracket and mount to light bar directly to the Driver side outer most hole.

NOTE: Do not fully tighten at this point as adjusting will need to be done.

2. Repeat Step 1 for the Passenger Side Vehicle Specific visor bracket.

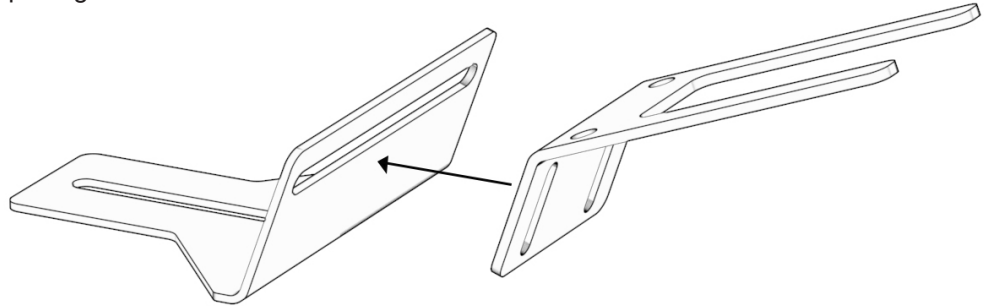
3. Repeat Step 1 for the (2) Center Vehicle Specific visor brackets.



Spacer Installation

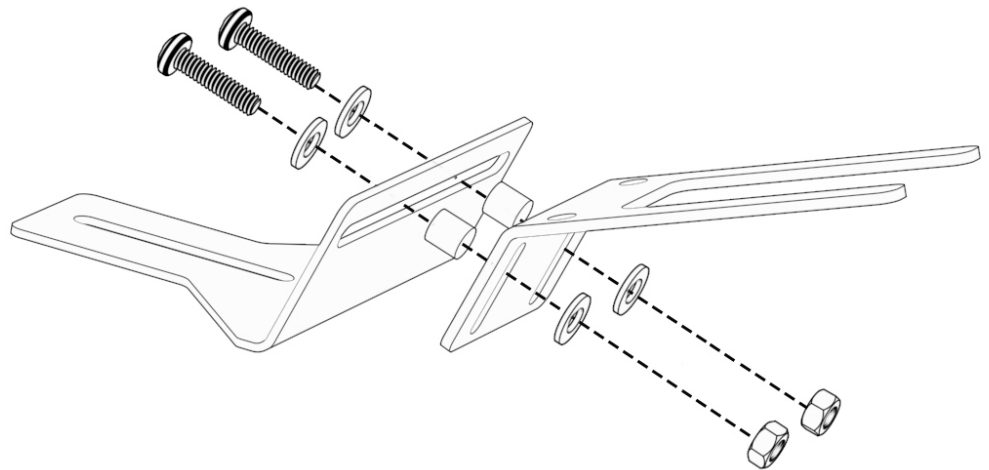
NOTE: Spacers are included to assist in adjusting the Visor Light Bar to the windshield for any base bracket assembly. Spacers are not intended for use with Vehicle Specific Brackets that mount directly to Raptor base.

1. Take both brackets and overlap the openings.



2. Insert (2) Phillips pan head screws through the base bracket opening.

3. Select necessary size spacer and place spacer onto each screw between the brackets.



4. On the other end, insert (2) flat washers, (2) split lock washers, and (2) hex nuts to secure.

NOTE: Do not fully tighten at this point as adjusting will need to be done.

5. Repeat Steps 1 - 4 for each assembly. There will be a total of (4) assemblies.



RAPTOR[®]-X

VISOR LIGHT BAR

Flash Pattern List

- Steady Burn
- Single Flash Left/Right 180 FPM
- Single Flash 90 FPM
- Single Flash 75 FPM
- Steady Burn Left Side Single Flash Right Side 75 FPM
- Steady Burn Right Side Single Flash Left Side 75 FPM
- Single Flash Left/Right 420 FPM
- Single Flash 420 FPM
- Single Flash 150 FPM
- Variable Speed Left/Right
- Variable Speed
- Left/Right Double Time
- Stacking Left to Right Sweep
- Slow Stacking Right to Left Sweep
- Slow Stacking Center Out Sweep
- Slow Left/Right/Left
- Left/Right/Left
- Stacking Right to Left Sweep
- Stacking Center Out Sweep
- Random
- Triple Flash Left/Right 360 FPM
- Triple Flash 120 FPM
- Quad Flash 150 FPM

Flash Pattern Shortcuts

- Hold for 3 seconds to toggle Steady Burn mode.
- Hold for 5 seconds to toggle Random pattern mode.

About Flash Patterns

- All STL LED products are equipped with a non-volatile memory which will recall the last flash pattern when the Light Bar is turned on.
- Set the flash pattern by pushing the Flash Pattern button on the Cigarette Lighter Plug to cycle through the various patterns.
- If you are not using the Cigarette Lighter Plug, follow the wiring diagram to identify the Flash Pattern wire to manually cycle through patterns.

All rights reserved. No part of this Instruction Manual may be reproduced, distributed, transmitted, or otherwise shared in any form or by any means, including but not limited to photocopying, recording, electronic delivery, .PDF reproduction, or any other means of reproducing all or any part hereof without the express prior written consent of SpeedTech Lights, Inc, except for non-commercial purposes as permitted by United States copyright law. Customers of SpeedTech Lights, Inc, may download and print this Instruction Manual for use with products sold to the customer by SpeedTech Lights, Inc. However, no part of this Instruction Manual may be otherwise or subsequently reproduced, downloaded, disseminated, published, or transferred, in any form or by any means, except with the prior written consent of SpeedTech Lights, Inc.